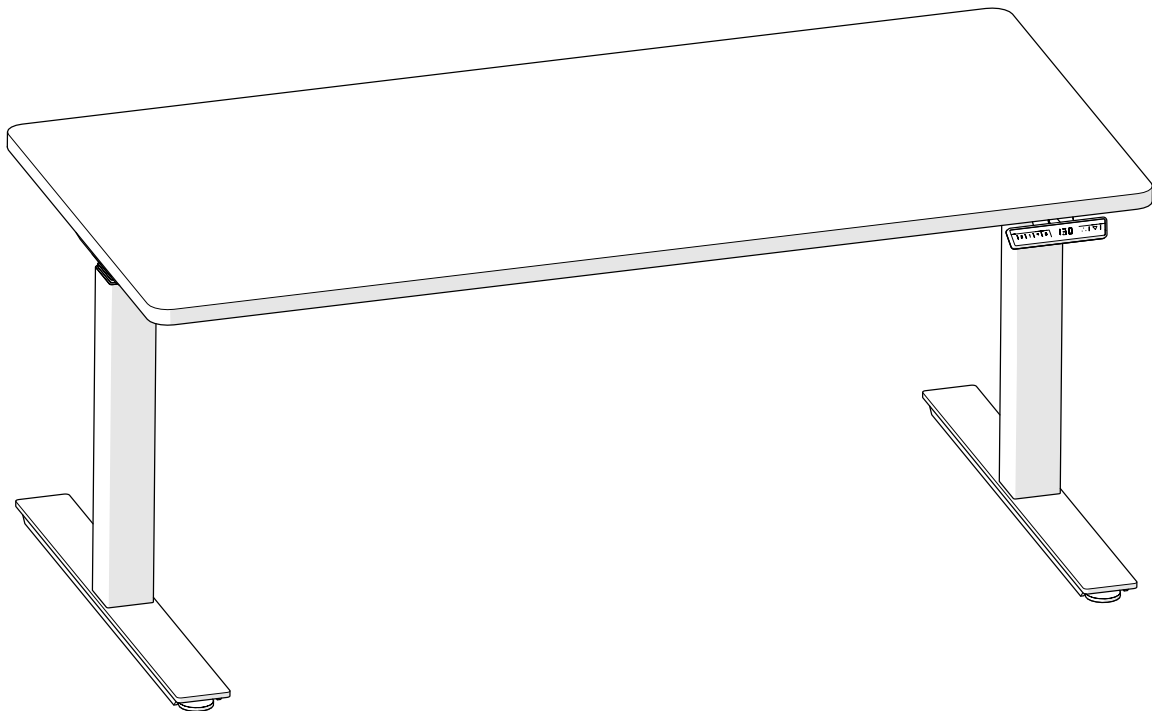


# Harbor&Axis

2 LEG / 2 MOTOR  
40x20



## Table of contents

---

### **1. General**

- 1.1 Local value of the user manual
- 1.2 Intended use

### **2. Safety Information**

- 2.1 Informal safety measures
- 2.2 Use of the adjustable frame
- 2.3 Specific Dangers
- 2.4 In an emergency
- 2.5 Maintenance
- 2.6 Cleaning

### **3. Packaging**

- 3.1 Part Check List
- 3.2 Screw Part List

### **4. Tools are needed**

### **5. Assembly**

- 5.1 Assembly Step by Step

### **6. Operating Instructions**

- 6.1 Zero Setting
- 6.2 General Operation
- 6.3 Container and Shelf Stop position
- 6.4 Change the displayed desktop position (cm or inch)
- 6.5 Saving a desktop position
- 6.6 Adjusting the desktop to a saved position
- 6.7 Reset control unit to factory settings
- 6.8 Changing the desktop height displayed

### **7. Programmable Remote Control Operating Instructions**

- 7.1 Enter the setting menu
- 7.2 Change the displayed desktop position (cm or inch)
- 7.3 G-Sensor Protection with Sensitivity range options.
- 7.4 Obstruction response with sensitivity range options for desktop move up
- 7.5 Obstruction response with sensitivity range options for desktop move down
- 7.6 Changing the desktop height displayed
- 7.7 Run automatically with memory position
- 7.8 Lock or unlock the programmable remote control
- 7.9 Reset control unit to factory settings

### **8. Troubleshooting**

- 8.1 Possible faults and remedies
- 8.2 Error messages & Error code (Only on external remote with display)

### **9. Description of Spare Parts**

## 1. General

### 1.1 Local value of the user manual

The guiding principle for safe use and trouble-free operation of this adjustable frame is the knowledge of basic safety information and regulations. This user manual includes the most important information needed for assembling and operating the adjustable frame safely. More importantly, the safety information about the adjustable frame must be observed at all times.

### 1.2 Intended use

The adjustable frame must be used only as a workstation for sitting / standing within the office environment or other indoor areas. Please observe the provision of section 2, Safety Information. Children may be unaware of the dangers caused by the adjustable frame if unsupervised. Any other use except the above should be considered improper. The manufacturer can in no way be held liable for damage arising from improper use.



**Any changes or modification not expressly approved by the manufacturer could void the user's authority to operate the equipment.**

## 2. Safety Information

**When installing and using electrical equipment, basic safety precaution should always be followed to avoid a risk of fire, electric shock, or injury to persons.**

### 2.1 Informal safety measures

- Keep the user manual in the place where the adjustable frame is used at all times.
- Keep children away from the appliance when operation.

### 2.2 Use of the adjustable frame

- When adjusting upwards and downwards, make sure that no persons or items will collide with the frame.
- Don't use the adjustable frame on an uneven surface, or it will not be steady.
- Never exceed the maximum load capacity on the adjustable frame. Please check the load capacity in Section 7, Specification.
- The control unit is only used for specified linear actuator, don't use appliances not recommended by the manufacturer.

### 2.3 Specific Dangers

- When assembling and operating the adjustable frame, make sure there is enough space to avoid collisions in all available directions.
- Don't pull, push or lift the frame if operating. Make sure to avoid twisting the legs.
- Insert the plug only into a proper socket. If it does not fit, contact a qualified electrician to install the proper outlet. Don't change the plug in any way.
- Be aware that the control box can only be connected to the voltage printed on the label.

### 2.4 In an emergency

- Stop using the adjustable frame immediately if you notice anything unusual (strange sounds etc.).
- The frame should be repaired by professional staff. Stop using the adjustable frame until it has been successfully repaired.
- Any other emergencies please contact customer services.

### 2.5 Maintenance

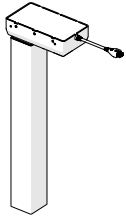
- The adjustable frame and its components are low-maintenance items and need no special regular maintenance.
- Any broken components removed must be replaced with new, original components made by the manufacturer.
- Don't alter the construction of the adjustable frame.

### 2.6 Cleaning

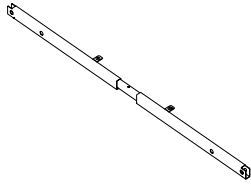
- Clean the frame once a week with a dry cloth.
- Clean the frame with a damp cloth and a weak solution of cleaner once every two weeks.

### 3. Packaging

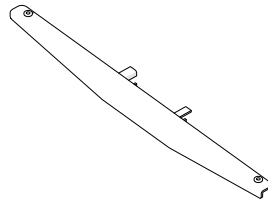
#### 3.1 Part Check List



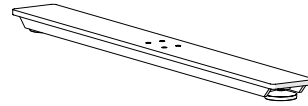
Leg (2 Pcs)



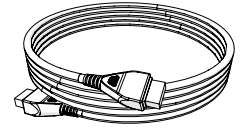
Frame (2 Pcs)



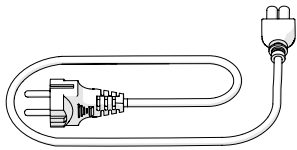
End Pipe (2 Pcs)



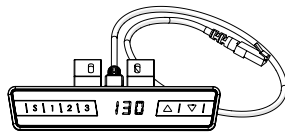
Feet (2 Pcs)



Connection Cable (1 Pcs)



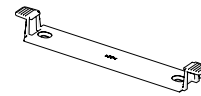
Power Cable (1 Pcs)



Remote Control (1 Pcs)



Control Unit (1 Pcs)



Control Unit installing Card (1 Pcs)

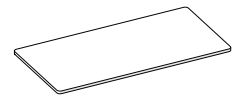
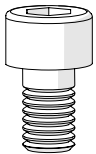


Table Top (1 Pcs)

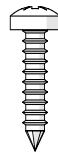
#### 3.2 Screw List



M6x12 (12 Pcs)



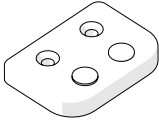
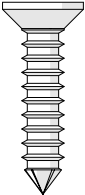
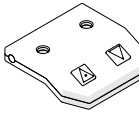
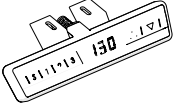
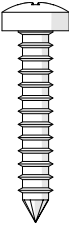
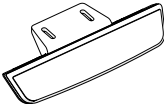
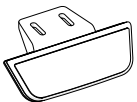
ST 4.2x16 (2 Pcs)



ST 4.8x19 (8 Pcs)

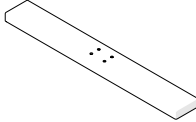
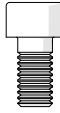
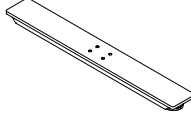

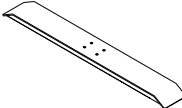
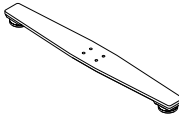
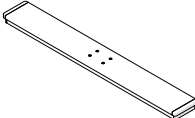

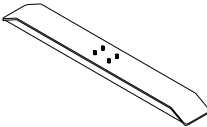

#### Remote Control

#### Matching Screw (2 Pcs)

|   |   |   |           |
|---|---|---|-----------|
| 1 |  |  | ST 4.2x19 |
| 2 |  |   |           |
| 3 |  |  | M3.5X12   |
| 4 |  |   |           |
| 5 |  |   |           |

### 3. Packaging

#### 3.2 Screw List

|   | Feet     |   | Matching Screw (8 Pcs)  |
|---|----------|---|---|
| 1 | Steel    |    |  M6x12   |
| 2 |          |    |  M6x16   |
| 3 |          |    |   |
| 4 |          |    |   |
| 5 | Aluminum |   |  M6x25  |
| 6 | Plastic  |  |  M6x30 |



Before attempting assembly of the Height Adjustable Frame, please read safety information in Section 2.

#### Torque Guide Max torque

- M6 Screw's max torque = 6nm
- M8 Screw's max torque = 6nm
- M10 Screw's max torque = 6nm
- **Tapping screws is hand tightening only**

### 4. Tools are needed



Allen Wrench  
(Included)



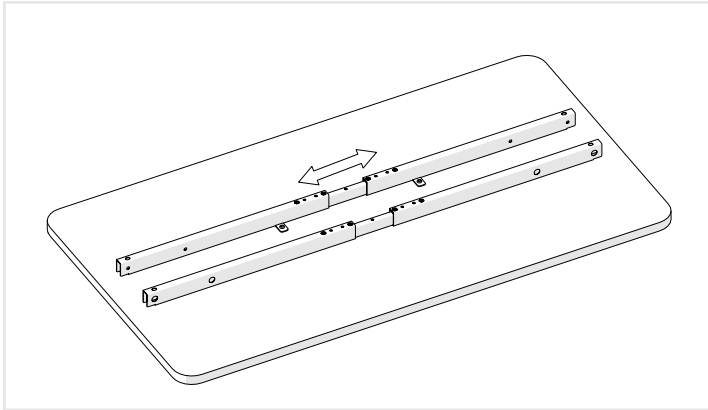
Drill



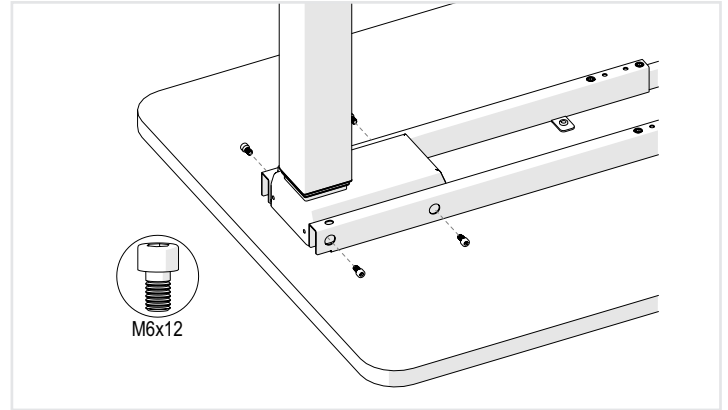
Phillips Screwdriver

## 5. Assembly

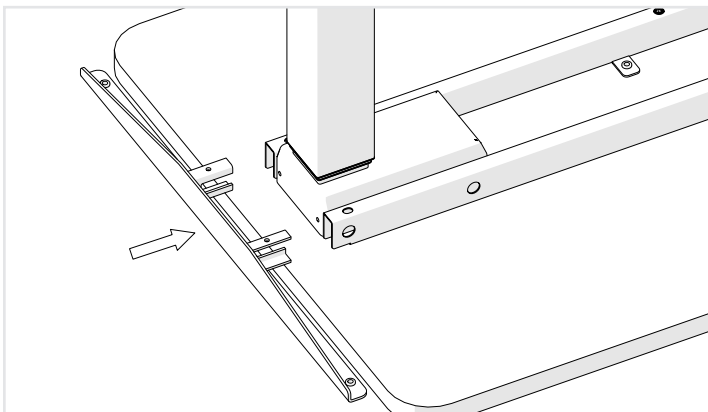
### 5.1 Assembly Step by Step



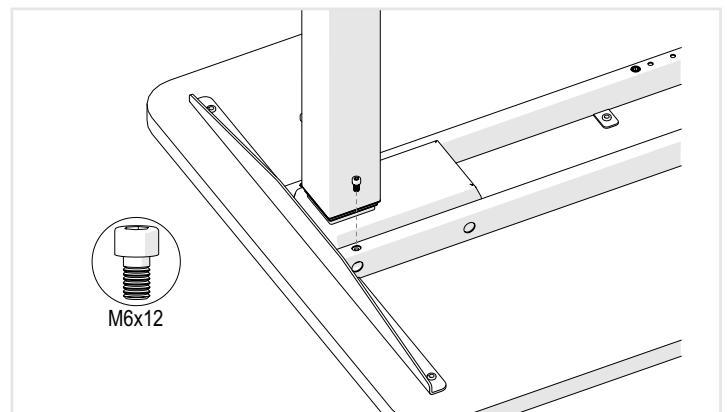
**Step 1**  
Adjust Top Frame to suitable length.



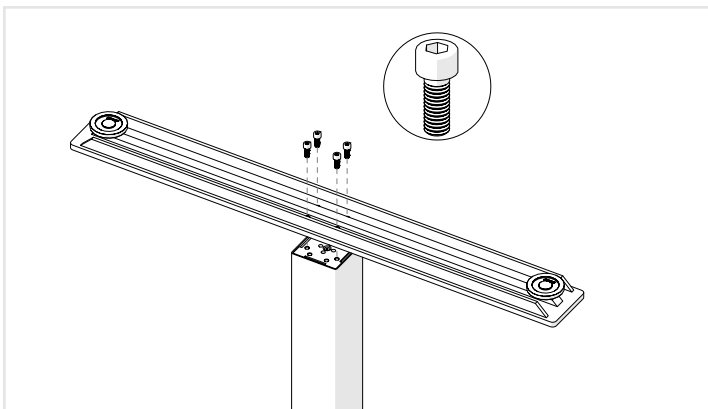
**Step 2**  
Assemble the Leg and Frame as illustrated above. Please refer to **Torque Guide**.



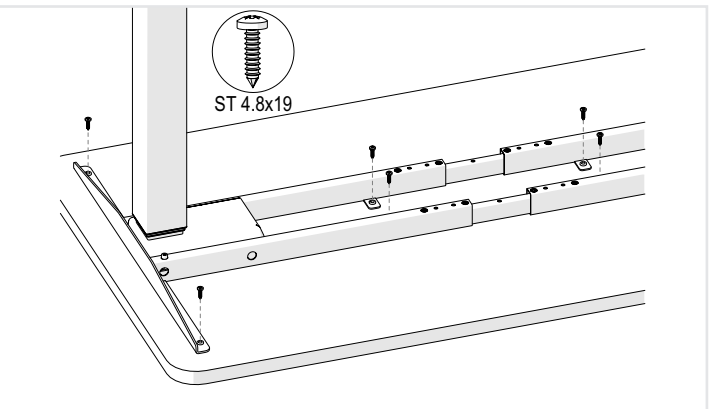
**Step 3**  
Mount the End Pipe as illustrated above.



**Step 4**  
Assemble the End Pipe and Frame as illustrated above. Please refer to **Torque Guide**.



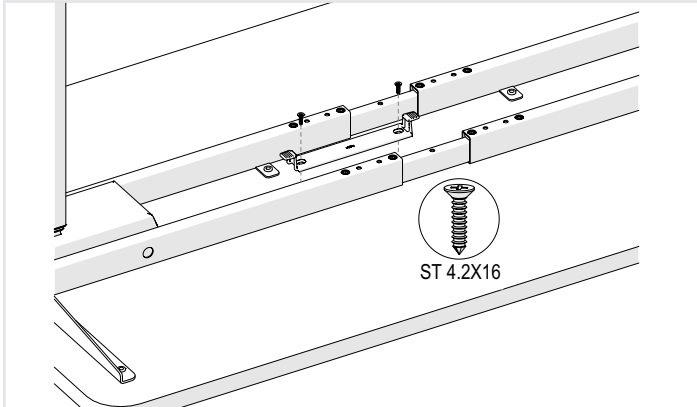
**Step 5**  
Mount the Feet as illustrated above. The smooth side of the plate faces the foot. Please refer to **Screw List** Select the appropriate feet and the matching screw. Please refer to **Torque Guide**.



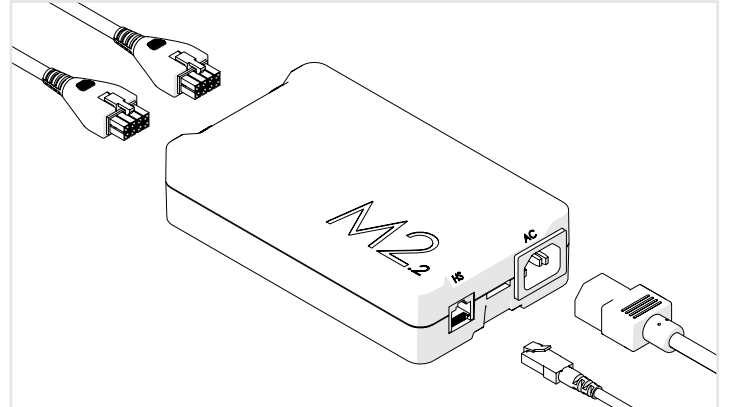
**Step 6**  
Mount the Frame and End Pipe to the Table top as illustrated above. Please refer to **Torque Guide**.

## 5. Assembly

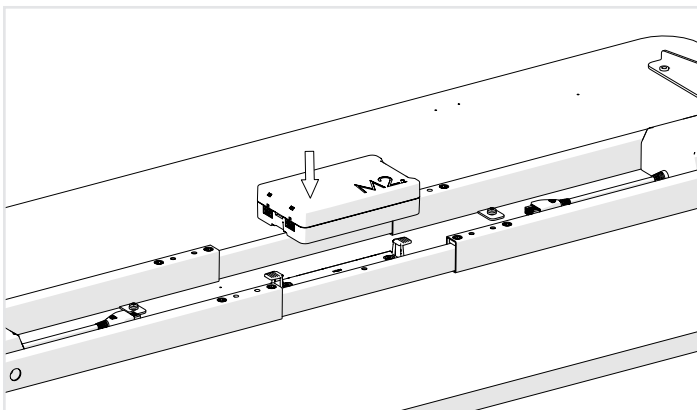
### 5.1 Assembly Step by Step



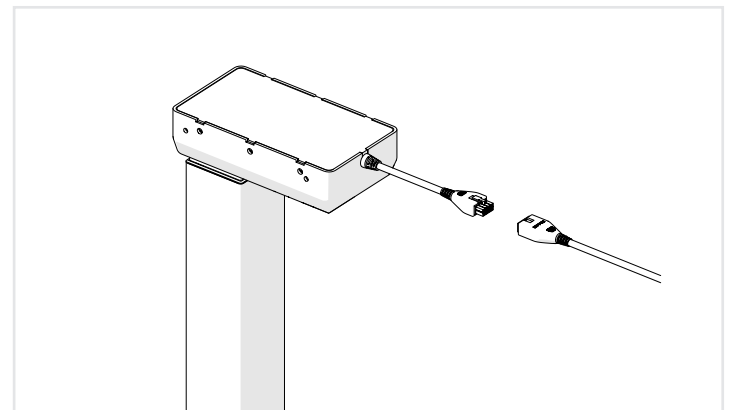
**Step 7**  
Mount the Control Unit Bracket as illustrated above. Please refer to **Torque Guide**.



**Step 8**  
Connect the Cables to the Control Unit as illustrated above.

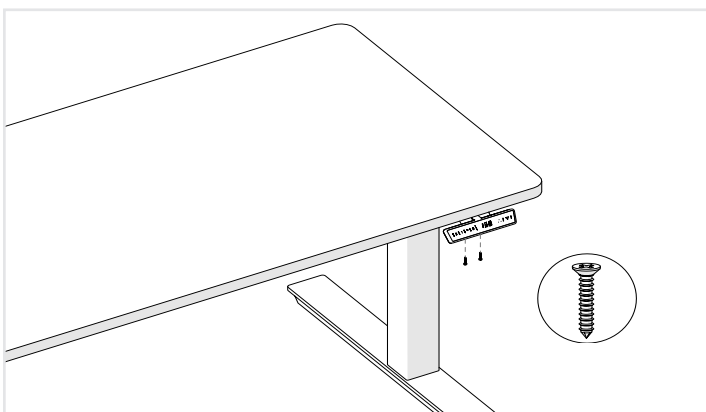


**Step 9**  
Mount the Control Unit as illustrated above.

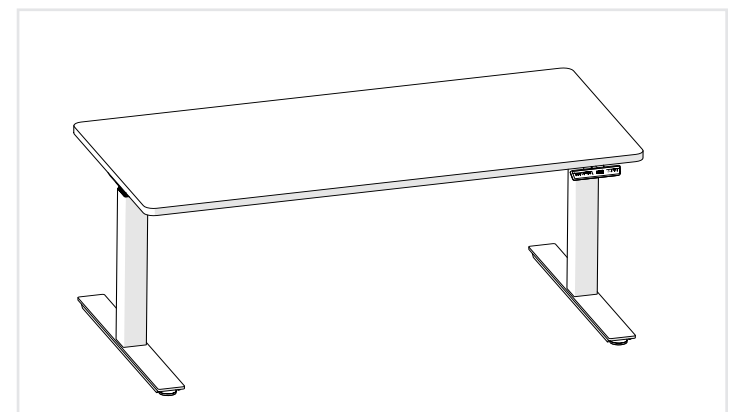


**Step 10**  
Connect the Connection Cable to the Leg as illustrated above.

 **Do not put power to the system before it is fully assembled.**





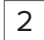



**Step 11**  
Mount the Remote Control to the Table top as illustrated above. Please refer to **Screw List** Select the appropriate RC and the matching screw. Please refer to **Torque Guide**.

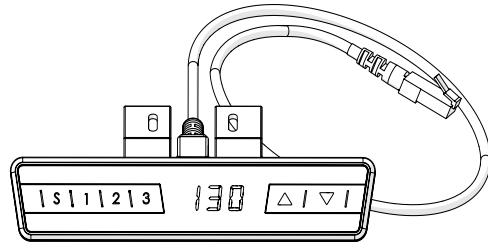


**Step 12**  
Perform Zero Setting.

## 6. Operating Instructions

Please read below instructions carefully before operating the system.

- |   |   |
|---|---|
|  Setting Button    |  Memory Position 1 |
|  Memory Position 2 |  Memory Position 3 |
|  Up                |  Down              |



### 6.1 Zero Setting:

When using the height adjustable frame for the first time lower the desk to the lowest height as explained below before proceeding .

- Press ▼ button and keep pressing the button until the desktop has reached the lowest position (programmed desktop position).
- Press ▼ button again and hold. After about five seconds, the desktop will slowly move further down until it reaches the lowest possible desktop position.
- Release ▼ button. The electric height adjustable frame is now ready for use.



**Zero setting position is approximate 5mm lower than original starting height position.**

### 6.2 General Operation:

This function enables you to adjust the frame upwards or downwards.

Press ▲ or ▼ button and keep pressing the button until the required frame height is reached.



**The frame will continue moving upwards or downwards until you release the button or the maximum / minimum height is reached.**

### 6.3 Container and Shelf Stop position:

These two features can be used to limit the movement area of the desktop (e.g. if a container is placed underneath the desktop). A container stop position can be defined in the lower half of the movement area, a shelf stop position in the upper half. If a container stop position is set, this position will be the lower limit position. If a shelf stop position is set, this position will be the new upper limit position.

To store a container stop / shelf stop position, go on as shown below:

- Move the frame to the position where the container stop / shelf stop position shall be stored. Do so by pressing the ▼ or ▲ until you reach the desired position.
- Press both up and down button (▲ & ▼) for 10 seconds. The control unit will click twice when the container stop / shelf stop position is stored.



**A container stop position can only be stored in the lower half of the movement area and a shelf stop in the upper half. These steps have to be done for a container stop and a shelf stop position separately!**

To remove the container stop/ shelf stop position follow the instructions below:

- Move the frame to any position in the lower half to deactivate the container stop. Move the frame to any position in the upper half to deactivate the shelf stop. Do so by pressing the ▲ or ▼ button until you reach the desired position.
- Press both up and down button (▲ & ▼) for 10 seconds. The control unit will click once when the container stop / shelf stop position is deactivated.



**These steps have to be done for a container stop and a shelf stop position separately!**

## 6. Operating Instructions

### 6.4 Saving a desktop position:

This function allows you to save a defined desktop height. One desktop height can be saved per memory position key. To save a position follow the instructions below:

- Adjust the desktop to the desired desktop position you would like to save. The display will show the desktop height (e.g. 73cm).
- Press the Setting button (S). The display will read S --.
- Press the desired memory position button (e.g. 2). The display will read S 2.
- The set desktop position will now be saved to the selected memory position button.



**When turning on the ZGO Control Unit for the first time, all saved positions are set to the lowest desktop height (minimum desktop position).**

### 6.5 Adjusting the desktop to a saved position:

You can use this function to adjust the desktop to a saved height.

To change to a saved position, follow the instructions below:

- Press the desired memory position button (e.g. 2) and hold it down. The desktop will move until it reaches the saved position.
- If you release the key before the saved position is reached the desktop will stop and the saved desktop position will not be reached.
- The desktop has reached the saved position. Now release the memory position button. The display will read the current (saved) desktop position.

## 7. Programmable Remote Control Operating Instructions



**The following actions should only be performed by properly trained personnel.**

### 7.1 Enter the setting menu

Follow the instructions below to enter the setting menu to change the settings for the control unit.

- Press the "S" button five seconds. The display will read "S - X".
- The display will start flashing.
- Pressing up or down button (▼ or ▲) to choose which parameter to change.
- Press the "S" button to enter the setting.

### 7.2 Change the displayed desktop position (cm or inch)

Follow the instructions below to change the displayed desktop position from centimeters to inches or the other way around. The desktop position itself is not affected by this function.

- Within the setting menu choose "S - 1".
- Press the "S" button to enter the setup menu.
- Press the up or down button (▼ or ▲) to choose the desired setting. "0" means display with "cm" while "1" means display with "inch".
- Press the "S" button to finish the setup.

### 7.3 G-Sensor Protection with Sensitivity range options.

Follow the instructions below to change the sensitivity of G-Sensor Protection for desktop move up and down.

- Within the setting menu choose "S - 2".
- Press the "S" button to enter the setup menu.
- Press the up or down button (▼ or ▲) to choose the desired setting. "0" means G-sensor close, "1" means G-sensor least sensitive, "8" means G-sensor most sensitive.
- Press the "S" button to finish the setup.

## 7. Programmable Remote Control Operating Instructions

### 7.4 Obstruction response with sensitivity range options for desktop move up

Follow the instructions below to change the sensitivity of the obstruction response for desktop move up.

- Within the setting menu choose “S – 3”.
- Press the “S” button to enter the setup menu.
- Press the up or down button (▼ or ▲) to choose the desired setting. “0” means obstruction response close, “1” means obstruction response least sensitive, “8” means obstruction response most sensitive.
- Press the “S” button to finish the setup.

### 7.5 Obstruction response with sensitivity range options for desktop move down

Follow the instructions below to change the sensitivity of the obstruction response for desktop move down.

- Within the setting menu choose “S – 4”.
- Press the “S” button to enter the setup menu.
- Press the up or down button (▼ or ▲) to choose the desired setting. “0” means obstruction response close, “1” means obstruction response least sensitive, “8” means obstruction response most sensitive.
- Press the “S” button to finish the setup.

### 7.6 Changing the desktop height displayed

Follow the instructions below to change the height shown on the display but not the actual position of the desktop.

- Within the setting menu choose “S – 5”.
- Press the “S” button to enter the setup menu.
- Press the up or down button (▼ or ▲) to adjust the number for the height shown on the display.
- Press the “S” button to finish the setup.

### 7.7 Run automatically with memory position.

Follow the instructions below to change the run automatically with memory position function on or off.

- Within the setting menu choose “S – 6”.
- Press the “S” button to enter the setup menu.
- Press the up or down button (▼ or ▲) to choose the desired setting. “0” means on , “1” means off.
- Press the “S” button to finish the setup.

### 7.8 Lock or unlock the programmable remote control

Follow the instruction below to lock or unlock the programmable remote control.

- Press the “S” and up button (▲) and hold for five seconds.
- The display will show “Loc” which means the remote control is now locked.
- Press the “S” and down button (▼) and hold for five seconds.
- The display will show the height which means the remote control is now unlocked.

### 7.9 Reset control unit to factory settings

Follow the instructions below to use a configured control unit on another identical electric height adjustable frame or to reset the control unit to its original factory settings.

- Press the up and down button (▼ and ▲) and hold for ten seconds.
- The control unit will “bi” and flash “000”.
- Press the down button (▼) until the display shows the height of the desktop. The control unit has now been reset to the original factory settings.



**If one or more motors are changed in a system, the control box must be reset to factory settings and a manual reset has to be performed!**

## 8. Troubleshooting

In this section you will find detailed information on the following topics:

- Possible faults and remedies
- Error messages on the remote control display

### 8.1 Possible faults and remedies

## 8. Troubleshooting

| <b>Legs not working</b>        |  |
|--------------------------------|--|
| <b>Possible Cause</b>          | <b>Remedy</b>  |
| ☰ Power Cable is not connected | ☰ Plug the Power Cable into the Control Unit           |
| ☰ Legs are not connected       | ☰ Plug the Motor Cables into the Control Unit and Legs |
| ☰ Poor plug contact            | ☰ Check all connections                                |
| ☰ Control Unit is defective    | ☰ Replace the Control Unit                             |
| ☰ Remote Control is defective  | ☰ Replace the Remote Control                           |

| <b>Legs only operating in one direction</b>                          |   |
|--|---|
| <b>Possible Cause</b>  | <b>Remedy</b>   |
| ☰ Mains power breakdown or main power is plugged off during movement | ☰ Zero setting (if movement is only possible downwards) |
| ☰ Control Unit is defective  | ☰ Replace Control Unit                                  |
| ☰ Remote Control is defective  | ☰ Replace the Remote Control                            |
| ☰ Leg is defective   | ☰ Replace the Leg                                       |

| <b>Control Unit or Remote Control is not working</b> |  |
|--|--|
| <b>Possible Cause</b>                                | <b>Remedy</b>                                |
| ☰ Power Cable is not connected                       | ☰ Plug the power cable into the control unit |
| ☰ Remote Control is not connected                    | ☰ Plug in the remote control                 |
| ☰ Control Unit is defective                          | ☰ Replace the Control Unit                   |
| ☰ Power Cable is defective                           | ☰ Replace the Power Cable                    |
| ☰ Remote Control is defective                        | ☰ Replace the remote control                 |
| ☰ Poor plug contact                                  | ☰ Check all connections                      |
| ☰ Exposed to liquids                                 | ☰ Replace the remote control                 |

### 8.2 Error messages & Error code (Only on external remote with display)

The display reads **HOT**.

| <b>Possible Cause</b>  | <b>Remedy</b>   |
|--|---|
| ☰ The control unit is fitted with overheating protection. Overheating has caused it to stop the control unit | ☰ Wait until the control unit has cooled down and <b>HOT</b> is no longer displayed. The control unit is then operational again |

The display reads **E + an error code**

**NOTE: (If different error code than shown below, contact customer service)**

| <b>Possible Cause</b>                            | <b>Remedy</b>                                |
|--|--|
| ☰ There is an internal fault in the control unit | ☰ Proceed as indicated in the following list |

## 8. Troubleshooting

| Error code Note |  | How to handle it   |
|-----------------|--|--|
| E01             | ≡ The main supply voltage is over 45V                                | Check the main power supply                                  |
| E02             | ≡ The height deviation between the screws exceeds 1cm                | Re-initialize  |
| E04             | ≡ Remote control connecting or communication error                   | Check the remote control cable                               |
| - - -           | ≡ In the event of a drag-stop display                                | Release the button and run again                             |
| E06             | ≡ Main power start did not succeed, lower than 20V                   | Replace the main power supply, or check the main power cable |
| E07             | ≡ Protect when the main power supply is running, lower than 20V      | Power up again   |
| E08             | ≡ Tilt when the desktop is running                                   | Re-initialize  |
| HOT             | ≡ High power supply temperature, or run over 2 minutes in 18 minutes | Wait for the power temperature to drop and rerun             |
| E11             | ≡ Motor 1 not connected  | Check the cable  |
| E12             | ≡ Motor 1 Error in current sampling channel                          | Replace the control panel                                    |
| E13             | ≡ Motor 1 missing phase, phase line disconnect                       | Check if the motor is not properly connected to the line     |
| E14             | ≡ Motor 1 hall error, or hall line disconnect                        | Check the hall signal, or replace the cable                  |
| E15             | ≡ Motor 1 internal short circuit                                     | Replacing the motor  |
| E16             | ≡ Motor 1 locked-rotor   | Re-initialize  |

## 8. Troubleshooting

| Error code Note |  | How to handle it   |
|-----------------|--|--|
| E17             | ≡ Motor 1 wrong direction of operation         | Switch the motor line or hall line                       |
| E18             | ≡ Motor 1 overload                             | Reduce load  |
| E21             | ≡ Motor 2 not connect                          | Check the cable  |
| E22             | ≡ Motor 2 error in current sampling channel    | Replace the control panel                                |
| E23             | ≡ Motor 2 missing phase, phase line disconnect | Check if the motor is not properly connected to the line |
| E24             | ≡ Motor 2 hall error, or hall line disconnect  | Check the hall signal, or replace the cable              |
| E25             | ≡ Motor 1 internal short circuit               | Replacing the motor                                      |
| E26             | ≡ Motor 2 locked-rotor                         | Re-initialize  |
| E27             | ≡ Motor 2 wrong direction of operation         | Switch the motor line or hall line                       |
| E28             | ≡ Motor 2 overload                             | Reduce load  |
| E40             | ≡ Controller drop line in series               | Check the cable  |
| E41             | ≡ Error in the series signal                   | Check the cable, or replace the controller               |
| E42             | ≡ Memory error                                 | Replacing the controller                                 |
| E43             | ≡ Disable sensor error                         | Replacing the controller                                 |



**If the mains power supply is lost or becomes disconnected from the control unit during movement of the drives, zero setting might be necessary.**

## 9. Description of Spare Parts



### Descriptions:

- **Table Top:** It is a wooden panel with coating, used as platform for working. It is supply by wooden company with FSC qualified.
- **Control Unit:** It is an electrical part with program sourced by partner electrical company, connecting with the motor with powered, used to drive the table up and down.
- **Remote Controller:** It is an electrical part with control button and display on it, connecting to the control unit, to control the table up and down by click the up and down button.
- **Top Frame and End Pipe:** They are metal parts set, produced in house, used to supporting the table top.
- **Column:** It is made in house used to supporting the top frame and table top.
- **Motor:** It is electrical parts to drive the column run in up and down, made in house.
- **Feet:** It is a metal part produced in house used to make the table stand stably.

Technical documents of all the parts will be kept 10 years after the product is discontinued to secure the warranty of the product.

### Declarations:

This product compliance with the following directives and laws:  
 EMC Directive (2014/30/EU, formerly 2004/108/EC, formerly 89/336/EEC)  
 EMF (Electromagnetical Fields)  
 Machinery Directive (2006/42/EC, formerly 98/37/EC)  
 WEEE Directive (2012/19/EU, formerly 2002/96/EC)  
 RoHS Directive (2011/65/EU, formerly 2002/95/EC)  
 Ecodesign requirements for energy-related products (2009/125/EC)

### Name of manufacture:

Zhejiang Xinyi Shengao Mechanical Transmission Co., Ltd.

### Address of manufacture:

Intersection of Shunyuan & Zhiyuan Rd, East Second District, Economic & Technological Development Zone, Hangzhou Bay, Shangyu District, Shaoxing City, 312369 Zhejiang, P .R. China.